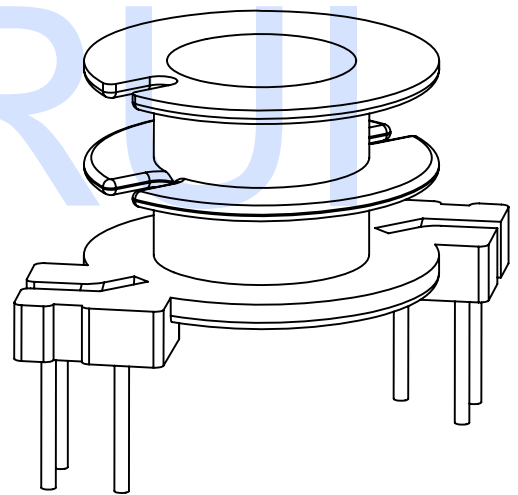
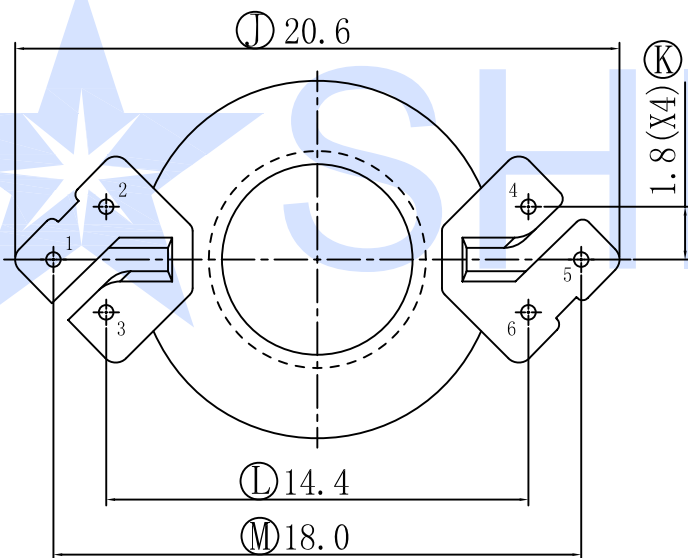
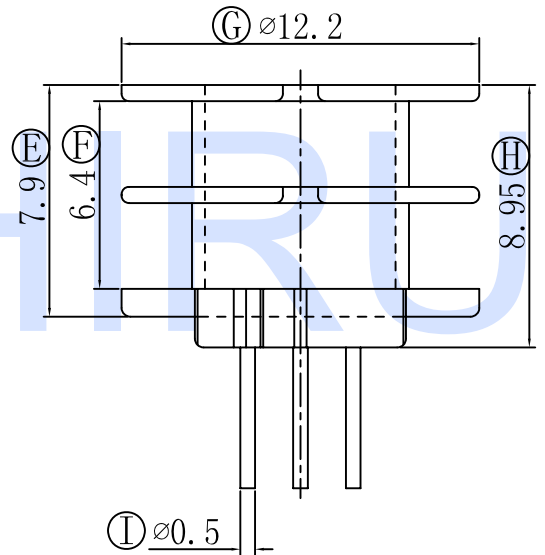
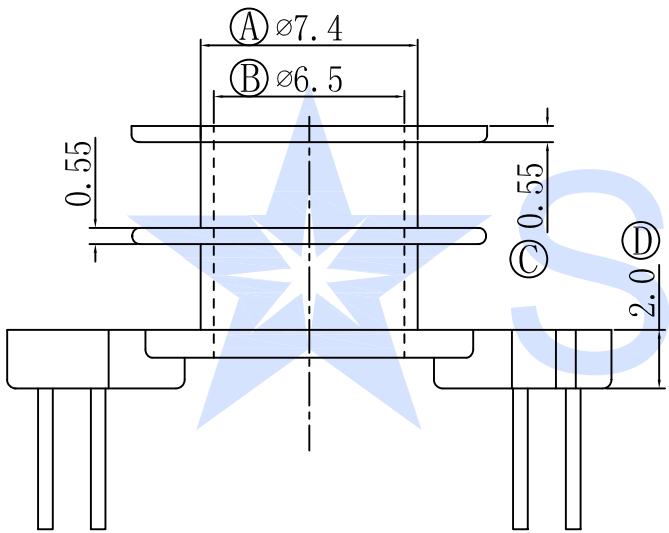


P/N

SR-RM 0604-1





**Hefei Shirui Electronic Technology Co.,Ltd**

TEL:(0086) 55165232650

sales@shiruitech.com

www.shiruitech.com

SR NO. <b>SR-RM 0604-1</b>	MATERIAL: PHENOLIC	UNIT: mm	DRN.	WILL H
MODEL NAME! <b>RM6-6P-2S V</b>	UL REC: UL 94V-0	TOLERANCE	CHD.	IRINA LEE
	ANGLE: ±°	0 L 4 ±0.10	ISSD.	JAMES HU
	  SCALE 1:1	4 L 16 ±0.20		
		16 L 64 ±0.30		
		PIN PITCH ±0.05		